

MATERIAL

Contact Material: Bronze
 Insulator Material: Thermoplastic, UL 94V-0

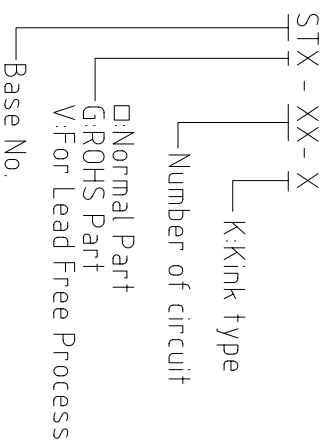
FINISH

Contact: Duplex flash over nickel plated

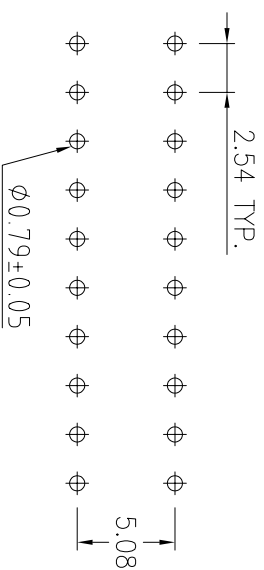
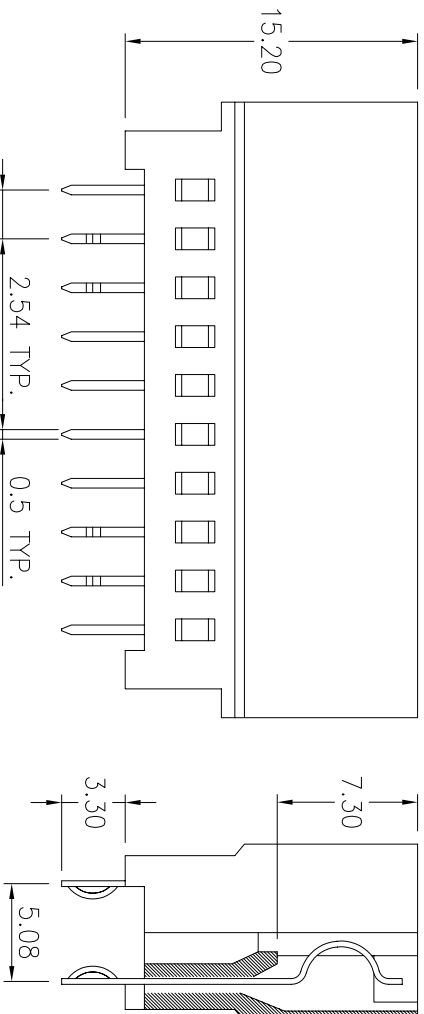
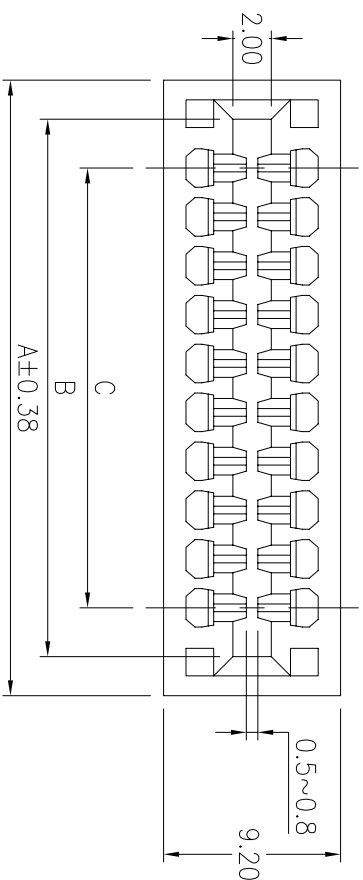
SPECIFICATIONS

Current Rating: 3 Amps
 Insulator resistance: 5000 MΩ min
 Contact Resistance: 10 mΩ max
 Dielectric Withstanding voltage: 500 VAC
 Operating Temperature: -25° to 105° C

HOW TO ORDER



| PMS | A | B | C | PMS | A | B | C |
|-----|-------|-------|-------|-----|-------|-------|-------|
| 6 | 14.22 | 10.16 | 5.08 | 38 | 54.86 | 50.80 | 45.72 |
| 8 | 16.76 | 12.70 | 7.62 | 40 | 57.40 | 53.34 | 48.28 |
| 10 | 19.30 | 15.24 | 10.16 | 42 | 59.94 | 55.88 | 50.80 |
| 12 | 21.84 | 17.78 | 12.70 | 44 | 62.40 | 58.42 | 53.34 |
| 14 | 24.38 | 20.32 | 15.24 | 48 | 67.5 | 63.50 | 58.42 |
| 16 | 26.92 | 22.86 | 17.78 | 50 | 70.1 | 66.04 | 60.96 |
| 18 | 29.46 | 25.40 | 20.32 | 54 | 75.18 | 71.12 | 66.04 |
| 20 | 32.00 | 27.94 | 22.86 | 56 | 77.72 | 73.66 | 68.58 |
| 24 | 37.08 | 33.02 | 27.94 | 60 | 82.80 | 78.74 | 73.66 |
| 26 | 39.62 | 35.56 | 30.48 | 62 | 85.34 | 81.28 | 76.20 |
| 28 | 42.16 | 38.10 | 33.02 | 64 | 87.88 | 83.82 | 78.74 |
| 30 | 44.70 | 40.64 | 35.56 | 68 | 92.96 | 88.99 | 83.82 |
| 32 | 47.24 | 43.18 | 38.10 | 70 | 95.50 | 91.44 | 86.36 |
| 34 | 49.78 | 45.72 | 40.64 | 72 | 98.04 | 93.98 | 88.90 |
| 36 | 52.32 | 48.26 | 43.18 | | | | |



RECOMMENDED PCB LAYOUT

LONG CHU ELECTRONICS CO. LTD
龍竹企業股份有限公司

DESCRIPTION:

2.54mm Car Edge Connector Kink Series

| | | | | | | | | | | | |
|------|----------------------|----------|-------|----------|------|-----|------|----------------------------------|------|--------|-----------|
| REV. | DESCRIPTION | DATE | DR. | MATERIAL | UNIT | RE. | APP. | GENERAL TOLERANCE | SIZE | TITLE: | SHEET NO. |
| A | NEW RELEASE (F00052) | 12/16/05 | KELLY | SEE NOTE | MM | | | 0. ±.50 0.0 ±.30 0.00 ±.20 | A4 | ST-K | |
| | | | CHK. | | | | | | | | |